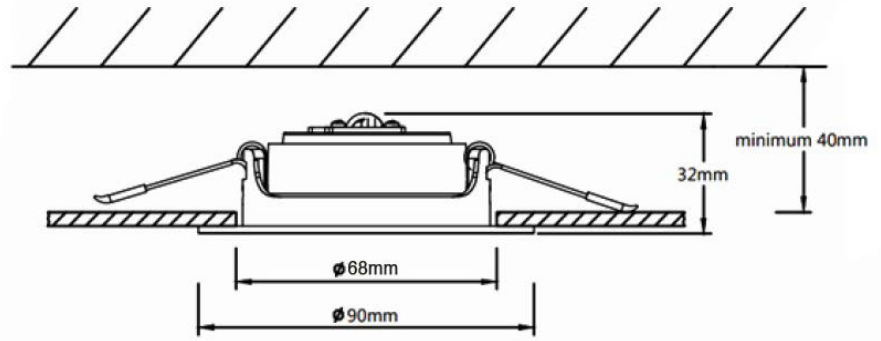




LED Spot Light

- LED SDCM<3, good color consistency.
- IP44 Moisture Proof.
- Driver built-in



Specification | Technical & Product Data:

Driver	Internal driver
Input Voltage	220-240 V~
LED TYPE	SMD 2835
Wattage	6 W
Frequency	50-60 HZ
Power Factor	>0.5
Color Temperature	3CCT
SDCM	<3
Light efficiency	typ. 80 lm/w
Luminous flux	typ.480 lm
CRI	>80
Size	φ90*32mm φ68mm
Lifespan L80/B10	50000 hrs at 25 °C
IP rate	IP44
ON/Off cycles	>50000
Working conditions	-20 °C - 45 °C
Material	PBT+PC+Aluminium
Body Color	White
Certification	CB CE ERP RoHS
Type of light source	F
Warranty	3 Years

