



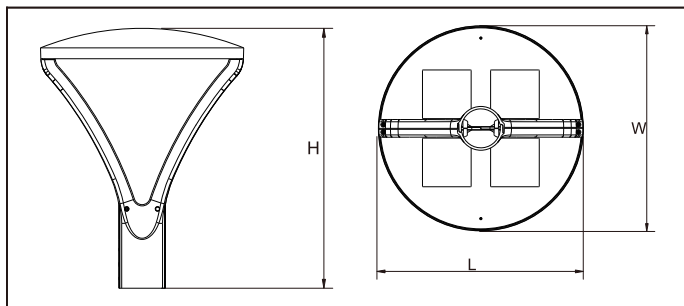
CE RoHS compliant LM 79 LM 80 TM 21

LUNOCOS



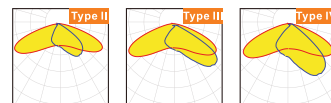
Features

Housing: Die-cast Aluminum
 Thermal Conductivity: 96 W/m·K
 Led: Philips
 CRI: Ra>70
 SDCM: <6
 Power Factor: >0.95
 THD: <15
 Driver: Sosen
 Driver Efficiency: >93%
 Protection: OTP, OCP, OVP, SCP
 Surge Protection: 6KV
 Waterproof: IP66
 Impact Test: IK08
 Electrical: 100-277V, 50/60Hz
 Operating Temperature: -40~50°C
 TM21: L90B10>50,000H
 Lifetime: 50,000H



Functions

Optical options:



Watt	Voltage	Lumen	CRI	IP	Dimension
30W	100~277V	5100LM	>70	IP66	L422*W422*H539MM
40W	100~277V	6800LM	>70	IP66	L422*W422*H539MM
60W	100~277V	9600LM	>70	IP66	L422*W422*H539MM
90W	100~277V	13500LM	>70	IP66	L422*W422*H539MM